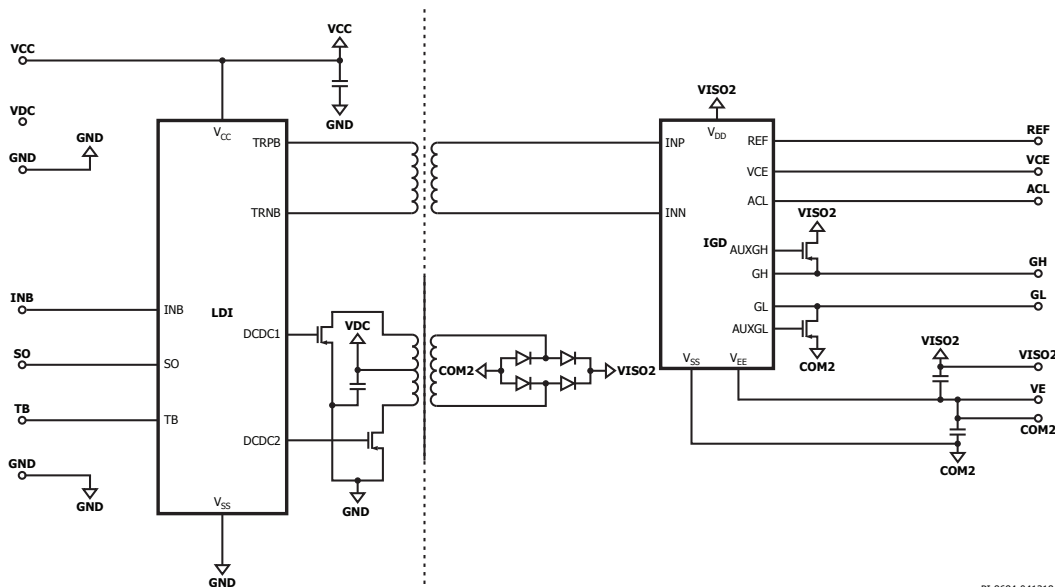


# SCALE™ -2 Single-Channel Driver Core 1SC2060P

- $\pm 60$  A peak output gate current
- 20 W output power for high frequency applications up to 500 kHz
- $< 80$  ns delay time
- $< \pm 1$  ns jitter
- IGBT short-circuit protection
- Advanced Active Clamping
- Isolated DC-DC converter

## Single-Channel Gate Driver Core for Blocking Voltages up to 1700 V



PI-8684-041218

## Applications

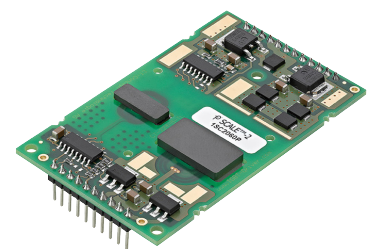
- High frequency applications
- High gate current driving applications
- Wind power inverters
- Railway main and auxiliary inverters
- Industrial motor drives
- Induction heating
- SiC MOSFET applications

## Certifications

- Reinforced isolation according to IEC 60664-1
- UL compliant

## Product Details

Parameter	Min	Typical	Max	Unit
Nominal supply voltage		15		V
Supply current @ $f_{IN}=0$ Hz		48		mA
Supply current, full load			2131	mA
Output power per channel			21	W
Gate voltage		+15 / -10		V
Peak output current (gate current)	-60		+60	A
Switching frequency ( $f_s^1$ )			500	kHz
Duty cycle	0		100	%
Creepage distance primary-secondary	15			mm
Clearance distance primary-secondary	15			mm
Dielectric test voltage	5000			$V_{RMS}$
Partial discharge extinction voltage	1768			$V_{PEAK}$
dv / dt immunity, input-to-output			100	kV/ $\mu$ s
Operating temperature	-40		+85	$^{\circ}$ C



<sup>1</sup> Maximum switching frequency depends on the IGBT gate charge. See data sheet for actual value of specific driver.

## Design Support

### Available Products

1SC2060P Products list ([www.power.com/1SC2060](http://www.power.com/1SC2060))