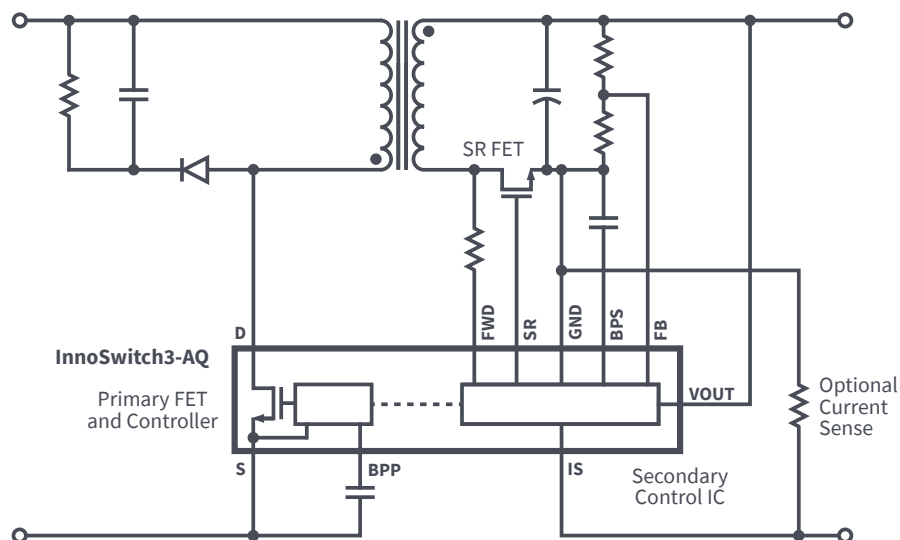


InnoSwitch™ 3-AQ

- Wide input voltage range: 30 V to 1200 V
 - Supports 400 V and 800 V DC bus
- Up to 90% efficient across load
- Integrated FluxLink™ feedback
 - Eliminates opto-isolator
- AEC-Q100 qualified

CV/CC Quasi-Resonant Flyback Switcher IC with Integrated 750 V, 900 V or 1700 V MOSFET and FluxLink Feedback for Automotive BEV and PHEV Applications



PI-8184a-031320

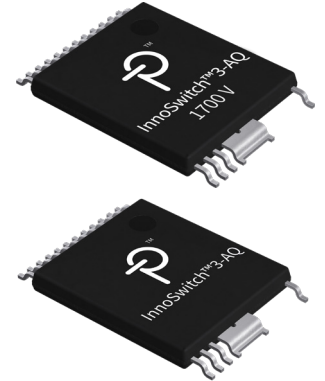
Applications

Auxiliary, standby and bias power supplies for:

- Traction inverters
- Power distribution units (PDUs)
- DC-DC bus converters
- On-board chargers
- Battery management systems

Output Power

Part Number	$V_{DS(MAX)}$ (V)	P_{OUT} at 30 VDC (W)	P_{OUT} at 60 VDC (W)	P_{OUT} at 400 VDC (W)	P_{OUT} at 800 VDC (W)
INN3947CQ	1700	10	23	50	50
INN3949CQ	1700	10	40	70	70
INN3977CQ	750	10	20	30	N/A
INN3996CQ	900	7	14	20	N/A



InSOP™-24D Package

Design Support

Data Sheet	InnoSwitch3-AQ data sheet for 750 V, 900 V and 1700 V rated devices (www.power.com/innoswitch3-aq-data-sheet)
Design Kit	60 W isolated flyback power supply for 800 V automotive bus (RDK-919Q) (www.power.com/rdk-919q)
Design Report	60 W isolated flyback power supply for 800 V automotive bus (RDR-919Q) (www.power.com/rdr-919q)
Design Example	35 W isolated flyback power supply for 800 V automotive bus (DER-913Q) (www.power.com/der-913q)
Design Example	13 W triple output isolated Flyback power supply for 400 V automotive bus (DER-926Q) (www.power.com/der-926Q)
Design Example	30 W, wide input range power supply for automotive applications (DER-840Q) (www.power.com/der-840q)
Video	800 V automotive emergency power supply solution (EPS) (www.power.com/innoswitch3-aq-video)