

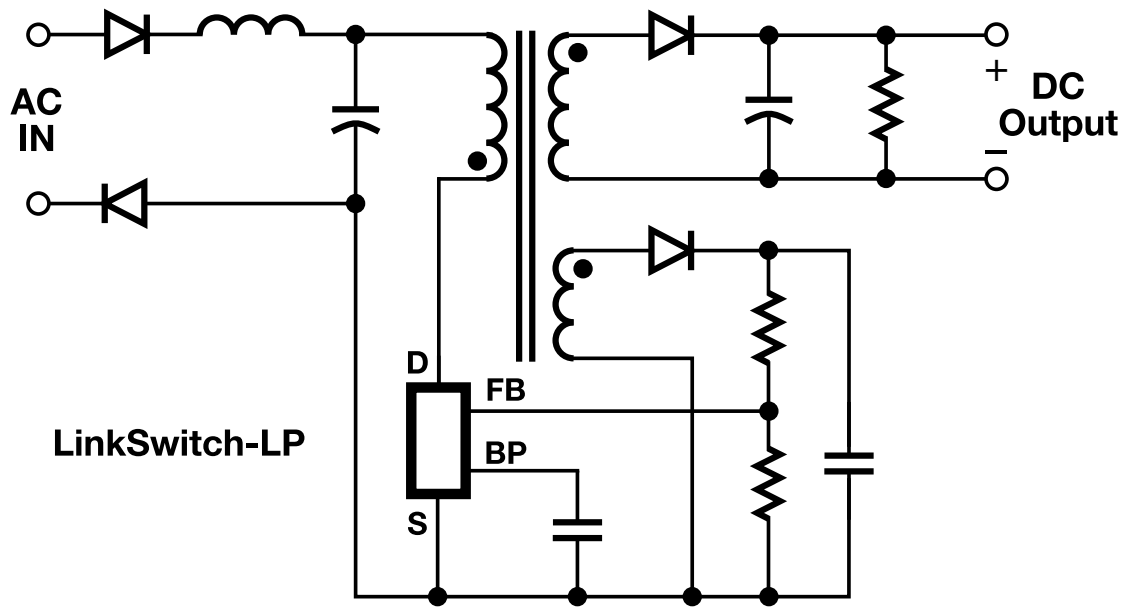
## LinkSwitch™-LP



### Key Features

- Cost effective BOM for low power <3 W applications
- Clampless design reduces component count and increases efficiency
- <30 mW no load

## Lowest Component Count Switcher for Linear Transformer Charger Replacement



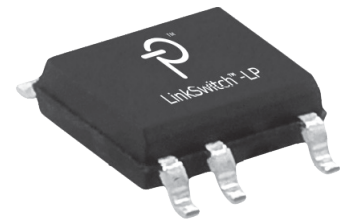
PI-3923-092705

## Applications

- Cell/cordless phones
- Portable audio devices
- Power tools
- Personal consumer appliances (e.g., shavers)
- Standby and auxiliary power supplies

## Output Power

Product	230 VAC ±15%		85-265 VAC	
	Adapter (W)	Open Frame (W)	Adapter (W)	Open Frame (W)
LNK562P/G/D	1.9	1.9	1.9	1.9
LNK563P/G/D	2.5	2.5	2.5	2.5
LNK564P/G/D	3	3	3	3



Packages:  
P: DIP-8B, G: SMD-8B, D: SO-8C

## Design Support

- Data Sheet [LinkSwitch-LP data sheet \(www.power.com/linkswitch-lp-data-sheet\)](http://www.power.com/linkswitch-lp-data-sheet)
- Application Note [LinkSwitch-LP design guide \(AN-39\) \(www.power.com/an-39\)](http://www.power.com/an-39)
- Design Example [1 W, low cost, linear replacement power supply \(DI-164\) \(www.power.com/di-164\)](http://www.power.com/di-164)
- Design Example [1.75 W, high efficiency, linear charger replacement \(DI-132\) \(www.power.com/di-132\)](http://www.power.com/di-132)